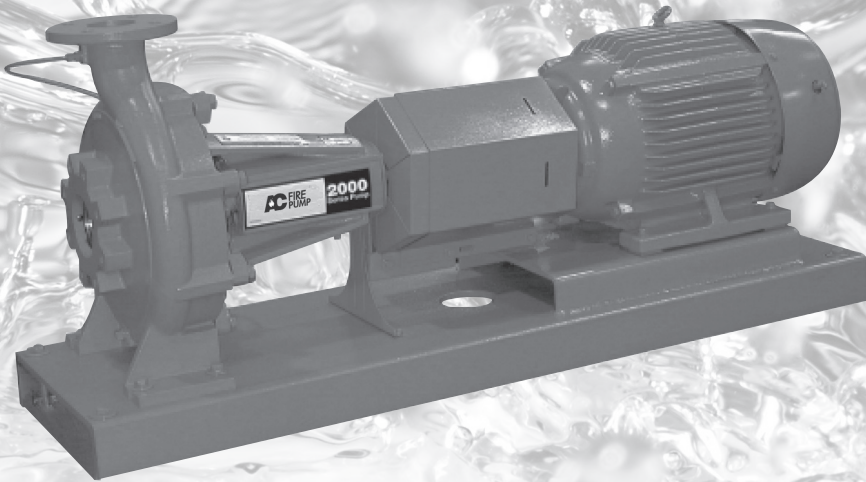


PARTS LIST

RAC2000 R2



Replacement Parts for

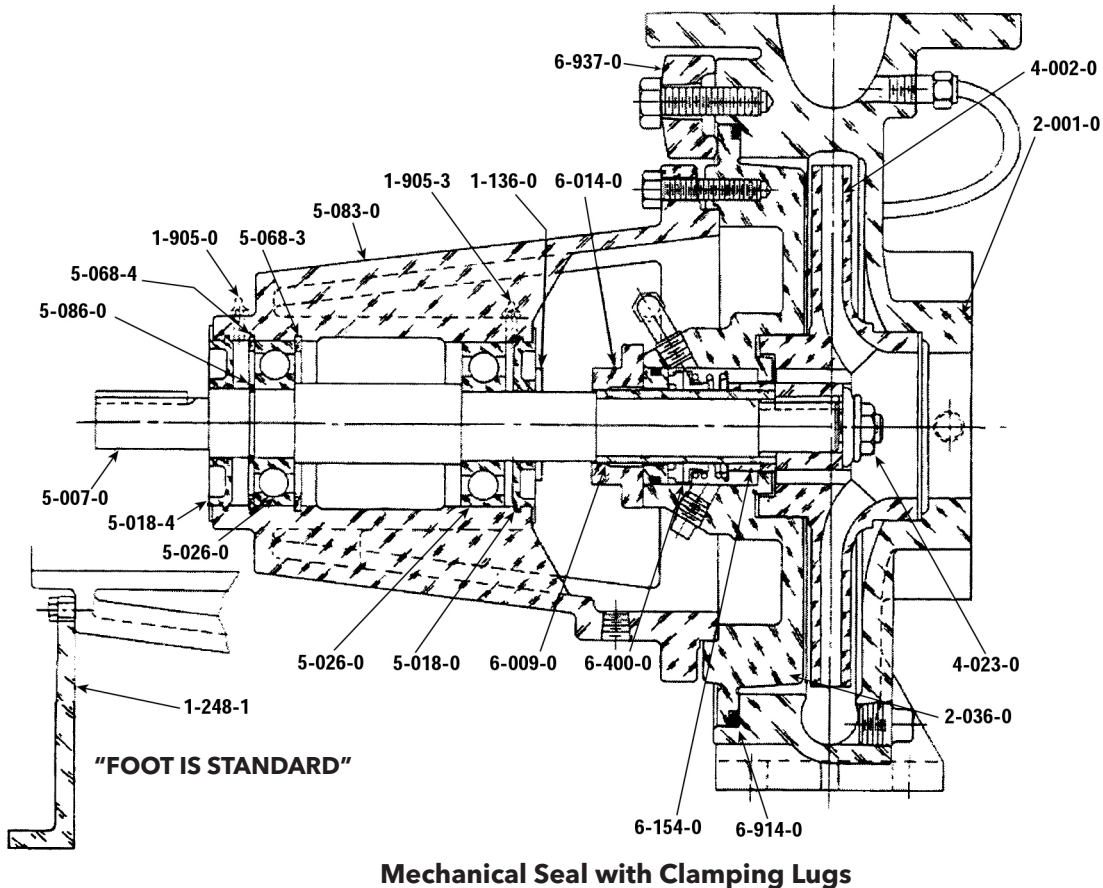
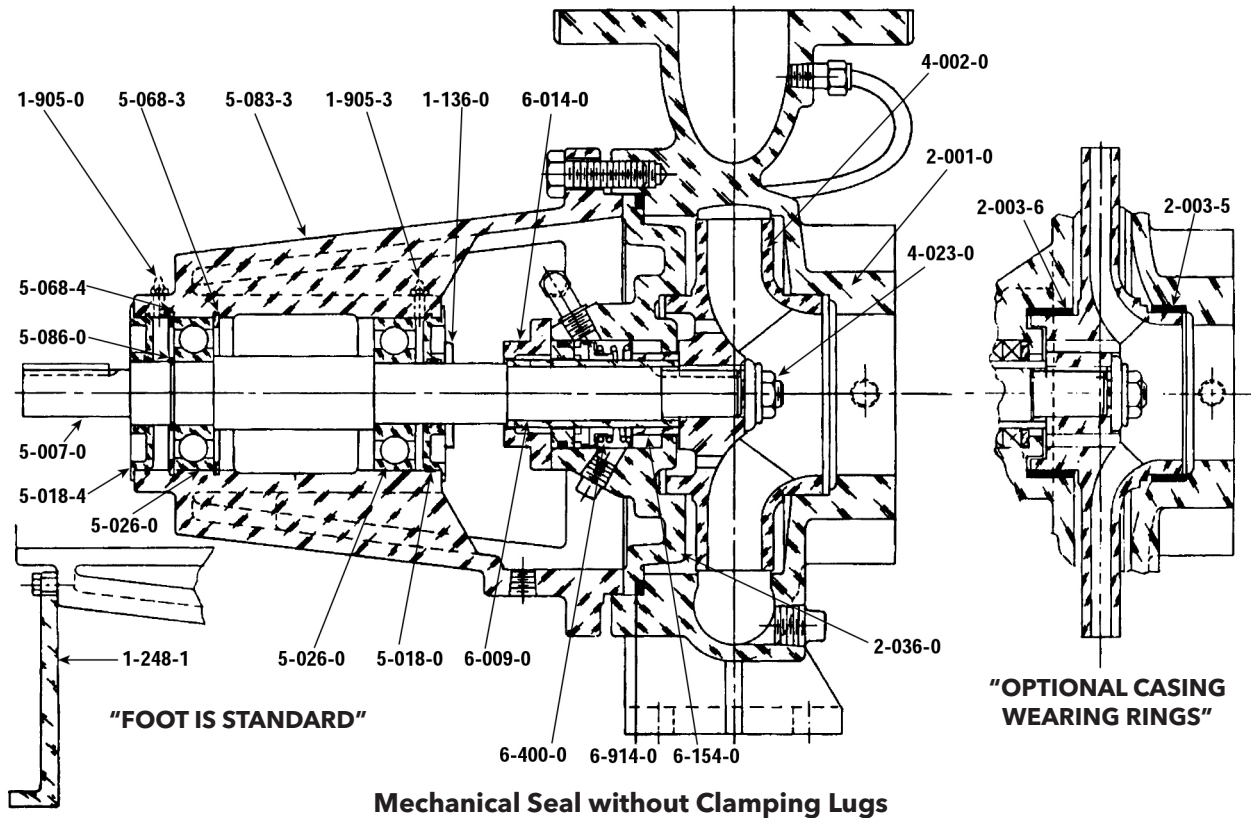
Series A-C 2000

FRAME MOUNTED PUMPS

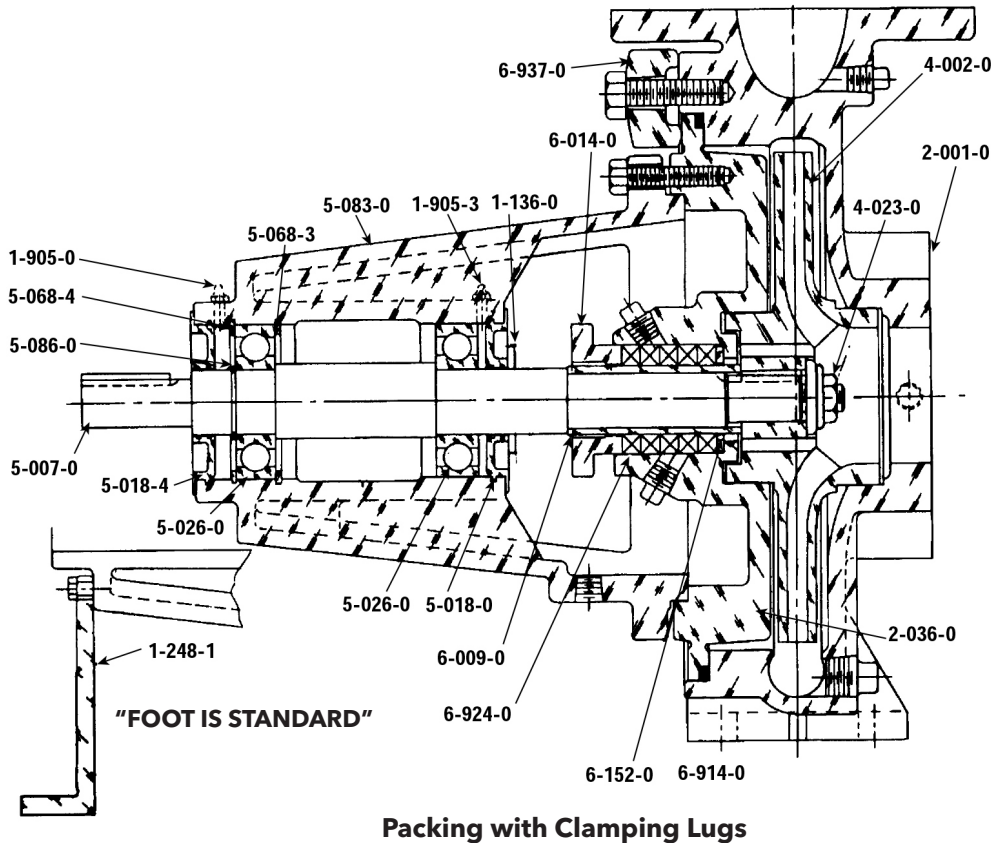
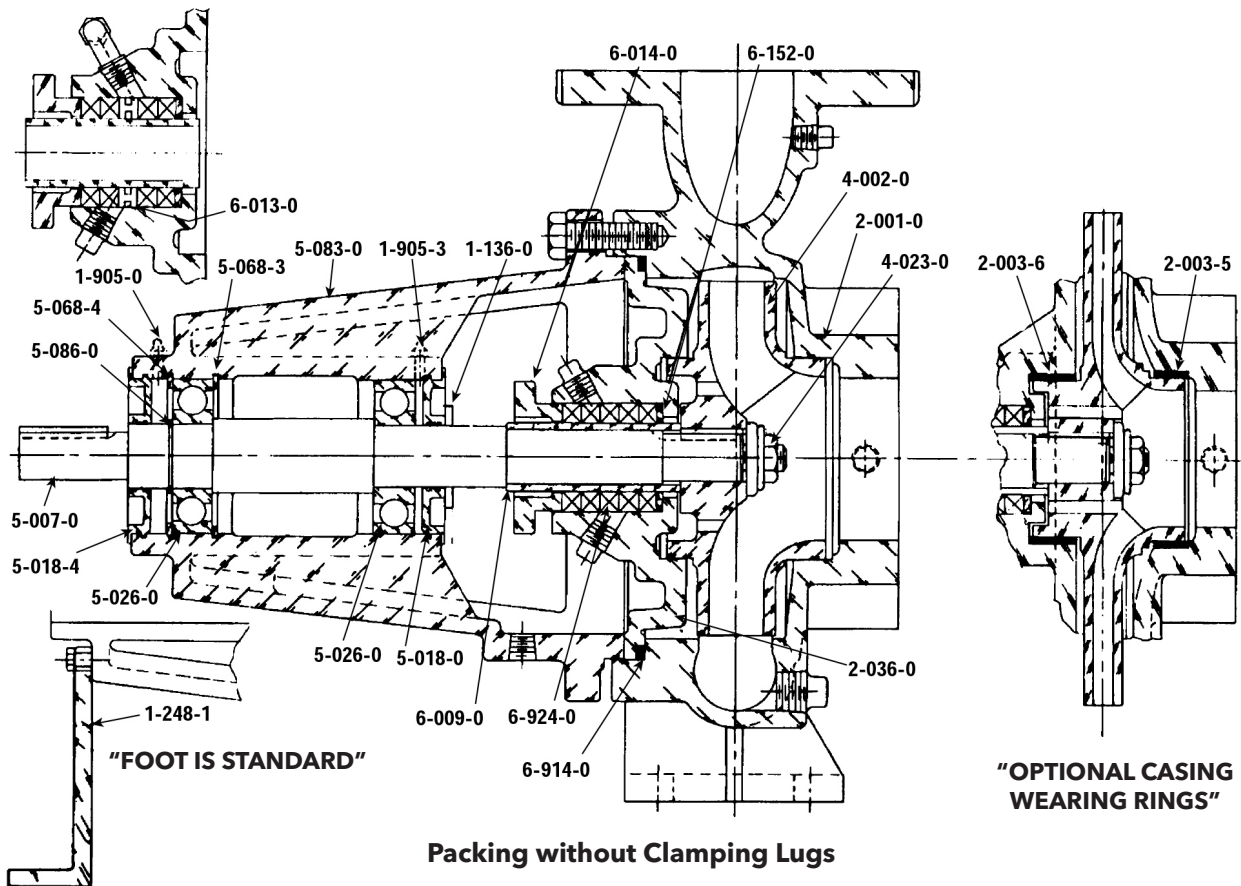
INDEX

Cross Sectional View - Mechanical Seal Construction	3
Cross Sectional View - Packing Construction	4
Power Module No. 3 (330 Frame)	
2x1½x6½, 2½x2x6½S, 2½x2x6½L, 3x2x6½S, 3x2x6½L, 1½x1½x9	5
2x1½x9, 2½x2x9S, 2½x2x9L, 3x2x9, 3x2x10, 3x2x11, 3x2½x11.....	6
Power Module No. 5 (500 Frame)	
4x3x6½, 3x2½x9, 4x3x9, 6x4x9, 6x6x9, 8x6x9	7
6x6x9½, 8x6x9½, 4x3x11, 4x4x11, 6x6x11, 8x6x11, 3x2½x13	8
4x3x13, 6x4x13, 6x6x13S, 6x6x13L	9
Power Module No. 6 (670 Frame)	
8x6x13, 10x8x13	10
Frame Parts	11

CROSS SECTIONAL VIEW



CROSS SECTIONAL VIEW



SERIES A-C 2000 PARTS LIST

CATALOG NO.	PART NAME	QTY.	MATERIAL	Part Number					
				2x1½x6½	2½x2x6½S	2½x2x6½L	3x2x6½S	3x2x6½L	1½x1½x9
330 Frame Power Module No. 3									
4-002-0	Impeller	1	Bronze	AC0340	AC0342	AC0344	AC0346	AC0348	AC0350
4-002-0	Impeller	1	Cast Iron	AC0341	AC0343	AC0345	AC0347	AC0349	AC0351
2-036-0	Stuff Box Cover	1	Cast Iron	AC0277	AC0277	AC0277	AC0277	AC0277	AC0281
4-023-0	Impeller Nut	1	Steel	AC0585	AC0585	AC0585	AC0585	AC0585	AC0585
4-909-0	Impeller Washer	1	Steel	AC0502	AC0502	AC0502	AC0502	AC0502	AC0502
4-911-0	Impeller Key	1	Steel	AC0520	AC0520	AC0520	AC0520	AC0520	AC0520
6-009-0	Shaft Sleeve	1	Bronze	AC0603	AC0603	AC0603	AC0603	AC0603	AC0603
6-009-0	Shaft Sleeve	1	Stainless Steel	AC0602	AC0602	AC0602	AC0602	AC0602	AC0602
2-001-0	Casing	1	Cast Iron	AC0235	AC0238	AC0238	AC0239	AC0239	AC0240
6-914-0	O-Ring (Casing)	1	Rubber	AC0540	AC0540	AC0540	AC0540	AC0540	AC0541
2-904-0	Bolts (Casing) *		Steel	H52100	H52100	H52100	H52100	H52100	H52100
6-937-0	Clamping Lugs	8	Steel	N/A	N/A	N/A	N/A	N/A	AC0650
6-904-0	Lug Bolt	8	Steel	N/A	N/A	N/A	N/A	N/A	P45110
6-014-0	Gland	1	Stainless Steel	AC0661	AC0661	AC0661	AC0661	AC0661	AC0661
6-014-0	Gland	1	ZA-73	AC0660	AC0660	AC0660	AC0660	AC0660	AC0660
6-908-0	Studs (Gland)	2	Steel	AC0581	AC0581	AC0581	AC0581	AC0581	AC0581
6-903-0	Nuts (Gland)	2	Steel	AC0501	AC0501	AC0501	AC0501	AC0501	AC0501
MECHANICAL SEAL ONLY									
6-400-0	Mechanical Seal		Buna/Carbon	AC0630	AC0630	AC0630	AC0630	AC0630	AC0630
6-400-0	Mechanical Seal		Buna/Carbon	AC3044	AC3044	AC3044	AC3044	AC3044	AC3044
6-400-0	Mechanical Seal		EP/Carbon	AC0633	AC0633	AC0633	AC0633	AC0633	AC0633
6-400-0	Mechanical Seal		EP/Carbon	AC3047	AC3047	AC3047	AC3047	AC3047	AC3047
6-154-0	Spacer Sleeve		Steel	AC0570	AC0570	AC0570	AC0570	AC0570	AC0570
PACKING ONLY									
6-924-0	Packing (5 req.)		Non-Asbestos	AC0940	AC0940	AC0940	AC0940	AC0940	AC0940
6-152-0	Packing Base Ring		Steel	AC0590	AC0590	AC0590	AC0590	AC0590	AC0590
6-013-0	Seal Cage (Optional)		Teflon	AC0801	AC0801	AC0801	AC0801	AC0801	AC0801
OPTIONAL									
4-002-0	Impeller For Wear Ring		Bronze	AC1201	AC1203	AC1204	AC1207	AC1208	AC1200
4-002-0	Impeller For Wear Ring		Cast Iron	AC1227	AC1229	AC1230	AC1233	AC1234	AC1226
2-003-5	Wear Ring (Casing)		Cast Iron	AC0771	AC0773	AC0773	AC0776	AC0776	AC0770
2-003-6	Wear Ring (Stuff Box)		Cast Iron	AC0776	AC0776	AC0776	AC0776	AC0776	AC0772
2-003-5	Wear Ring (Casing)		Bronze	AC0751	AC0753	AC0753	AC0756	AC0756	AC0750
2-003-6	Wear Ring (Stuff Box)		Bronze	AC0756	AC0756	AC0756	AC0756	AC0756	AC0752
6-952-0	By-Pass Piping		Plastic/Bronze	AC0670	AC0670	AC0670	AC0670	AC0670	AC0670
6-952-0	By-Pass Piping		Plastic/Steel	AC0673	AC0673	AC0673	AC0673	AC0673	AC0673

Factory Recommended Spare Parts

* 8 required without lugs, 4 required with lugs

SERIES A-C 2000 PARTS LIST

CATALOG NO.	PART NAME	QTY.	MATERIAL	Part Number						
				2x1½x9	2½x2x9S	2½x2x9L	3x2x9	3x2x10	3x2x11	3x2½x11
330 Frame Power Module No. 3										
4-002-0	Impeller	1	Bronze	AC0352	AC0354	AC0356	AC0356	AC3004	AC0358	AC0360
4-002-0	Impeller	1	Cast Iron	AC0353	AC0355	AC0357	AC0357	AC3005	AC0359	AC0361
2-036-0	Stuff Box Cover	1	Cast Iron	AC0281	AC0281	AC0281	AC0281	AC0281	AC0285	AC0285
4-023-0	Impeller Nut	1	Steel	AC0585	AC0585	AC0585	AC0585	AC0585	AC0585	AC0585
4-909-0	Impeller Washer	1	Steel	AC0502	AC0502	AC0502	AC0502	AC0502	AC0502	AC0502
4-911-0	Impeller Key	1	Steel	AC0520	AC0520	AC0520	AC0520	AC0520	AC0520	AC0520
6-009-0	Shaft Sleeve	1	Bronze	AC0603	AC0603	AC0603	AC0603	AC0603	AC0603	AC0603
6-009-0	Shaft Sleeve	1	Stainless Steel	AC0602	AC0602	AC0602	AC0602	AC0602	AC0602	AC0602
2-001-0	Casing	1	Cast Iron	AC0243	AC0244	AC0244	AC0246	AC3001	AC0249	AC0250
6-914-0	O-Ring (Casing)	1	Rubber	AC0541	AC0541	AC0541	AC0541	AC0541	AC0542	AC0542
2-904-0	Bolts (Casing) *		Steel	H52100	H52100	H52100	H52100	H52100	H52100	H52100
6-937-0	Clamping Lugs	8	Steel	AC0650	AC0650	AC0650	AC0650	AC0650	AC0650	AC0650
6-904-0	Lug Bolt	8	Steel	P45110	P45110	P45110	P45110	P45110	P45110	P45110
6-014-0	Gland	1	Stainless Steel	AC0661	AC0661	AC0661	AC0661	AC0661	AC0661	AC0661
6-014-0	Gland	1	ZA-73	AC0660	AC0660	AC0660	AC0660	AC0660	AC0660	AC0660
6-908-0	Studs (Gland)	2	Steel	AC0581	AC0581	AC0581	AC0581	AC0581	AC0581	AC0581
6-903-0	Nuts (Gland)	2	Steel	AC0501	AC0501	AC0501	AC0501	AC0501	AC0501	AC0501
MECHANICAL SEAL ONLY										
6-400-0	Mechanical Seal		Buna/Carbon	AC0630	AC0630	AC0630	AC0630	AC0630	AC0630	AC0630
6-400-0	Mechanical Seal		Buna/Carbon	AC3044	AC3044	AC3044	AC3044	AC3044	AC3044	AC3044
6-400-0	Mechanical Seal		EP/Carbon	AC0633	AC0633	AC0633	AC0633	AC0633	AC0633	AC0633
6-400-0	Mechanical Seal		EP/Carbon	AC3047	AC3047	AC3047	AC3047	AC3047	AC3047	AC3047
6-154-0	Spacer Sleeve		Steel	AC0570	AC0570	AC0570	AC0570	AC0570	AC0570	AC0570
PACKING ONLY										
6-924-0	Packing (5 req.)		Non-Asbestos	AC0940	AC0940	AC0940	AC0940	AC0940	AC0940	AC0940
6-152-0	Packing Base Ring		Steel	AC0590	AC0590	AC0590	AC0590	AC0590	AC0590	AC0590
6-013-0	Seal Cage (Optional)		Teflon	AC0801	AC0801	AC0801	AC0801	AC0801	AC0801	AC0801
OPTIONAL										
4-002-0	Impeller For Wear Ring		Bronze	AC1202	AC1205	AC1206	AC1206	AC3006	AC1209	AC1210
4-002-0	Impeller For Wear Ring		Cast Iron	AC1228	AC1231	AC1232	AC1232	AC3007	AC1235	AC1236
2-003-5	Wear Ring (Casing)		Cast Iron	AC0772	AC0772	AC0772	AC0772	AC3003	AC0774	AC0776
2-003-6	Wear Ring (Stuff Box)		Cast Iron	AC0772	AC0772	AC0772	AC0772	AC0772	AC0775	AC0775
2-003-5	Wear Ring (Casing)		Bronze	AC0752	AC0752	AC0752	AC0752	AC3002	AC0754	AC0756
2-003-6	Wear Ring (Stuff Box)		Bronze	AC0752	AC0752	AC0752	AC0752	AC0752	AC0755	AC0755
6-952-0	By-Pass Piping		Plastic/Bronze	AC0670	AC0670	AC0670	AC0670	AC0670	AC0670	AC0670
6-952-0	By-Pass Piping		Plastic/Steel	AC0673	AC0673	AC0673	AC0673	AC0673	AC0673	AC0673

Factory Recommended Spare Parts

* 8 required without lugs, 4 required with lugs

SERIES A-C 2000 PARTS LIST

CATALOG NO.	PART NAME	QTY.	MATERIAL	Part Number					
				4x3x6½	3x2½x9	4x3x9	6x4x9	6x6x9	8x6x9
500 Frame Power Module No. 5									
4-002-0	Impeller	1	Bronze	AC0362	AC0364	AC0366	AC0368	AC0370	AC0435
4-002-0	Impeller	1	Cast Iron	AC0363	AC0365	AC0367	AC0369	AC0371	AC0467
2-036-0	Stuff Box Cover	1	Cast Iron	AC0289	AC0289	AC0289	AC0294	AC0294	AC0294
4-023-0	Impeller Nut	1	Steel	AC0584	AC0584	AC0584	AC0584	AC0584	AC0584
4-909-0	Impeller Washer	1	Steel	AC0503	AC0503	AC0503	AC0503	AC0503	AC0503
4-911-0	Impeller Key	1	Steel	AC0522	AC0522	AC0522	AC0522	AC0522	AC0522
6-009-0	Shaft Sleeve	1	Bronze	AC0607	AC0607	AC0607	AC0607	AC0607	AC0607
6-009-0	Shaft Sleeve	1	Stainless Steel	AC0606	AC0606	AC0606	AC0606	AC0606	AC0606
2-001-0	Casing	1	Cast Iron	AC0251	AC0252	AC0253	AC0255	AC0256	AC0257
6-914-0	O-Ring (Casing)	1	Rubber	AC0541	AC0541	AC0541	AC0541	AC0541	AC0541
2-904-0	Bolts (Casing) *		Steel	DJ0114	DJ0114	DJ0114	DJ0114	DJ0114	DJ0113
6-014-0	Gland	1	Stainless Steel	AC0663	AC0663	AC0663	AC0663	AC0663	AC0663
6-014-0	Gland	1	ZA-73	AC0662	AC0662	AC0662	AC0662	AC0662	AC0662
6-908-0	Studs (Gland)	2	Steel	AC0581	AC0581	AC0581	AC0581	AC0581	AC0581
6-903-0	Nuts (Gland)	2	Steel	AC0501	AC0501	AC0501	AC0501	AC0501	AC0501
MECHANICAL SEAL ONLY									
6-400-0	Mechanical Seal		Buna/Carbon	AC0631	AC0631	AC0631	AC0631	AC0631	AC0631
6-400-0	Mechanical Seal		Buna/Carbon	AC3045	AC3045	AC3045	AC3045	AC3045	AC3045
6-400-0	Mechanical Seal		EP/Carbon	AC0634	AC0634	AC0634	AC0634	AC0634	AC0634
6-400-0	Mechanical Seal		EP/Carbon	AC3048	AC3048	AC3048	AC3048	AC3048	AC3048
6-154-0	Spacer Sleeve		Steel	AC0572	AC0572	AC0572	AC0572	AC0572	AC0572
PACKING ONLY									
6-924-0	Packing (5 req.)		Non-Asbestos	AC0941	AC0941	AC0941	AC0941	AC0941	AC0941
6-152-0	Packing Base Ring		Steel	AC0591	AC0591	AC0591	AC0591	AC0591	AC0591
6-013-0	Seal Cage (Optional)		Teflon	AC0802	AC0802	AC0802	AC0802	AC0802	AC0802
OPTIONAL									
4-002-0	Impeller For Wear Ring		Bronze	AC1213	AC1211	AC1214	AC1218	AC1387	AC0468
4-002-0	Impeller For Wear Ring		Cast Iron	AC1239	AC1237	AC1240	AC1244	N/A	AC0469
2-003-5	Wear Ring (Casing)		Cast Iron	AC0781	AC0777	AC0781	AC0784	AC0785	AC0788
2-003-6	Wear Ring (Stuff Box)		Cast Iron	AC0779	AC0779	AC0779	AC0787	AC0787	AC0787
2-003-5	Wear Ring (Casing)		Bronze	AC0761	AC0757	AC0761	AC0764	AC0765	AC0768
2-003-6	Wear Ring (Stuff Box)		Bronze	AC0759	AC0759	AC0759	AC0767	AC0767	AC0767
6-952-0	By-Pass Piping		Plastic/Bronze	AC0671	AC0671	AC0671	AC0671	AC0671	AC0671
6-952-0	By-Pass Piping		Plastic/Steel	AC0674	AC0674	AC0674	AC0674	AC0674	AC0674

Factory Recommended Spare Parts

* 8 required without lugs, 4 required with lugs

SERIES A-C 2000 PARTS LIST

CATALOG NO.	PART NAME	QTY.	MATERIAL	Part Number						
				6x6x9½	8x6x9½	4x3x11	4x4x11	6x6x11	8x6x11	3x2½x13
500 Frame Power Module No. 5										
4-002-0	Impeller	1	Bronze	AC1000	AC0372	AC0374	AC0376	AC0378	AC0380	AC0382
4-002-0	Impeller	1	Cast Iron	AC0434	AC0373	AC0375	AC0377	AC0379	AC0381	AC0383
2-036-0	Stuff Box Cover	1	Cast Iron	AC0294	AC0294	AC0298	AC0298	AC0302	AC0302	AC0302
4-023-0	Impeller Nut	1	Steel	AC0584	AC0584	AC0584	AC0584	AC0584	AC0584	AC0584
4-909-0	Impeller Washer	1	Steel	AC0503	AC0503	AC0503	AC0503	AC0503	AC0503	AC0503
4-911-0	Impeller Key	1	Steel	AC0522	AC0522	AC0522	AC0522	AC0522	AC0522	AC0522
6-009-0	Shaft Sleeve	1	Bronze	AC0607	AC0607	AC0607	AC0607	AC0607	AC0607	AC0607
6-009-0	Shaft Sleeve	1	Stainless Steel	AC0606	AC0606	AC0606	AC0606	AC0606	AC0606	AC0606
2-001-0	Casing	1	Cast Iron	AC0256	AC0257	AC0258	AC0259	AC0260	AC0261	AC0262
6-914-0	O-Ring (Casing)	1	Rubber	AC0541	AC0541	AC0543	AC0543	AC0543	AC0543	AC0543
2-904-0	Bolts (Casing) *		Steel	DJ0114	DJ0113	DJ0113	DJ0113	DJ0113	DJ0113	DJ0113
6-937-0	Clamping Lugs	8	Steel	N/A	N/A	AC0651	AC0651	AC0651	AC0651	AC0651
6-904-0	Lug Bolt	8	Steel	N/A	N/A	J91731	J91731 (7 req.)**	J91731	J91731	J91731
6-014-0	Gland	1	Stainless Steel	AC0663	AC0663	AC0663	AC0663	AC0663	AC0663	AC0663
6-014-0	Gland	1	ZA-73	AC0662	AC0662	AC0662	AC0662	AC0662	AC0662	AC0662
6-908-0	Studs (Gland)	2	Steel	AC0581	AC0581	AC0581	AC0581	AC0581	AC0581	AC0581
6-903-0	Nuts (Gland)	2	Steel	AC0501	AC0501	AC0501	AC0501	AC0501	AC0501	AC0501
MECHANICAL SEAL ONLY										
6-400-0	Mechanical Seal		Buna/Carbon	AC0631	AC0631	AC0631	AC0631	AC0631	AC0631	AC0631
6-400-0	Mechanical Seal		Buna/Carbon	AC3045	AC3045	AC3045	AC3045	AC3045	AC3045	AC3045
6-400-0	Mechanical Seal		EP/Carbon	AC0634	AC0634	AC0634	AC0634	AC0634	AC0634	AC0634
6-400-0	Mechanical Seal		EP/Carbon	AC3048	AC3048	AC3048	AC3048	AC3048	AC3048	AC3048
6-154-0	Spacer Sleeve		Steel	AC0572	AC0572	AC0572	AC0572	AC0572	AC0572	AC0572
PACKING ONLY										
6-924-0	Packing (5 req.)		Non-Asbestos	AC0941	AC0941	AC0941	AC0941	AC0941	AC0941	AC0941
6-152-0	Packing Base Ring		Steel	AC0591	AC0591	AC0591	AC0591	AC0591	AC0591	AC0591
6-013-0	Seal Cage (Optional)		Teflon	AC0802	AC0802	AC0802	AC0802	AC0802	AC0802	AC0802
OPTIONAL										
4-002-0	Impeller For Wear Ring		Bronze	AC1255	AC1252	AC1215	AC1217	AC1220	AC1223	AC1212
4-002-0	Impeller For Wear Ring		Cast Iron	AC1254	AC1253	AC1241	AC1243	AC1246	AC1249	AC1238
2-003-5	Wear Ring (Casing)		Cast Iron	AC0785	AC0788	AC0778	AC0780	AC0783	AC0786	AC0782
2-003-6	Wear Ring (Stuff Box)		Cast Iron	AC0787	AC0787	AC0779	AC0779	AC0783	AC0783	AC0783
2-003-5	Wear Ring (Casing)		Bronze	AC0765	AC0768	AC0758	AC0760	AC0763	AC0766	AC0762
2-003-6	Wear Ring (Stuff Box)		Bronze	AC0767	AC0767	AC0759	AC0759	AC0763	AC0763	AC0763
6-952-0	By-Pass Piping		Plastic/Bronze	AC0671	AC0671	AC0671	AC0671	AC0671	AC0671	AC0671
6-952-0	By-Pass Piping		Plastic/Steel	AC0674	AC0674	AC0674	AC0674	AC0674	AC0674	AC0674

Factory Recommended Spare Parts

* 8 required without lugs, 4 required with lugs

** Also requires (1) J92288

SERIES A-C 2000 PARTS LIST

CATALOG NO.	PART NAME	QTY.	MATERIAL	Part Number			
				4x3x13	6x4x13	6x6x13S	6x6x13L
500 Frame Power Module No. 5							
4-002-0	Impeller	1	Bronze	AC0384	AC0386	AC0388	AC0390
4-002-0	Impeller	1	Cast Iron	AC0385	AC0387	AC0389	AC0391
2-036-0	Stuff Box Cover	1	Cast Iron	AC0302	AC0302	AC0302	AC0302
4-023-0	Impeller Nut	1	Steel	AC0584	AC0584	AC0584	AC0584
4-909-0	Impeller Washer	1	Steel	AC0503	AC0503	AC0503	AC0503
4-911-0	Impeller Key	1	Steel	AC0522	AC0522	AC0522	AC0522
6-009-0	Shaft Sleeve	1	Bronze	AC0607	AC0607	AC0607	AC0607
6-009-0	Shaft Sleeve	1	Stainless Steel	AC0606	AC0606	AC0606	AC0606
2-001-0	Casing	1	Cast Iron	AC0264	AC0265	AC0268	AC0268
6-914-0	O-Ring (Casing)	1	Rubber	AC0543	AC0543	AC0543	AC0543
2-904-0	Bolts (Casing) *		Steel	DJ0113	DJ0113	DJ0113	DJ0113
6-937-0	Clamping Lugs	8	Steel	AC0651	AC0651	AC0651	AC0651
6-904-0	Lug Bolt	8	Steel	J91731	J91731	J91731	J91731
6-014-0	Gland	1	Stainless Steel	AC0663	AC0663	AC0663	AC0663
6-014-0	Gland	1	ZA-73	AC0662	AC0662	AC0662	AC0662
6-908-0	Studs (Gland)	2	Steel	AC0581	AC0581	AC0581	AC0581
6-903-0	Nuts (Gland)	2	Steel	AC0501	AC0501	AC0501	AC0501
MECHANICAL SEAL ONLY							
6-400-0	Mechanical Seal		Buna/Carbon	AC0631	AC0631	AC0631	AC0631
6-400-0	Mechanical Seal		Buna/Carbon	AC3045	AC3045	AC3045	AC3045
6-400-0	Mechanical Seal		EP/Carbon	AC0634	AC0634	AC0634	AC0634
6-400-0	Mechanical Seal		EP/Carbon	AC3048	AC3048	AC3048	AC3048
6-154-0	Spacer Sleeve		Steel	AC0572	AC0572	AC0572	AC0572
PACKING ONLY							
6-924-0	Packing (5 req.)		Non-Asbestos	AC0941	AC0941	AC0941	AC0941
6-152-0	Packing Base Ring		Steel	AC0591	AC0591	AC0591	AC0591
6-013-0	Seal Cage (Optional)		Teflon	AC0802	AC0802	AC0802	AC0802
OPTIONAL							
4-002-0	Impeller For Wear Ring		Bronze	AC1216	AC1219	AC1221	AC1222
4-002-0	Impeller For Wear Ring		Cast Iron	AC1242	AC1245	AC1247	AC1248
2-003-5	Wear Ring (Casing)		Cast Iron	AC0782	AC0782	AC0786	AC0786
2-003-6	Wear Ring (Stuff Box)		Cast Iron	AC0783	AC0783	AC0783	AC0783
2-003-5	Wear Ring (Casing)		Bronze	AC0762	AC0762	AC0766	AC0766
2-003-6	Wear Ring (Stuff Box)		Bronze	AC0763	AC0763	AC0763	AC0763
6-952-0	By-Pass Piping		Plastic/Bronze	AC0671	AC0671	AC0671	AC0671
6-952-0	By-Pass Piping		Plastic/Steel	AC0674	AC0674	AC0674	AC0674

Factory Recommended Spare Parts

* 8 required without lugs, 4 required with lugs

SERIES A-C 2000 PARTS LIST

CATALOG NO.	PART NAME	QTY.	MATERIAL	Part Number	
				8x6x13	10x8x13
670 Frame Power Module No. 6					
4-002-0	Impeller	1	Bronze	AC0392	AC0394
4-002-0	Impeller	1	Cast Iron	AC0393	AC0395
2-036-0	Stuff Box Cover	1	Cast Iron	AC0306	AC0306
4-023-0	Impeller Nut	1	Steel	AC0584	AC0584
4-909-0	Impeller Washer	1	Steel	AC0503	AC0503
4-911-0	Impeller Key	1	Steel	AC0524	AC0524
6-009-0	Shaft Sleeve	1	Bronze	AC0609	AC0609
6-009-0	Shaft Sleeve	1	Stainless Steel	AC0608	AC0608
2-001-0	Casing	1	Cast Iron	AC0271	AC0274
6-914-0	O-Ring (Casing)	1	Rubber	AC0543	AC0543
2-904-0	Bolts (Casing) *		Steel	P13810	P13810
6-014-0	Gland	1	ZA-73	AC0664	AC0664
6-908-0	Studs (Gland)	2	Steel	AC0581	AC0581
6-903-0	Nuts (Gland)	2	Steel	AC0501	AC0501
MECHANICAL SEAL ONLY					
6-400-0	Mechanical Seal		Buna/Carbon	AC0632	AC0632
6-400-0	Mechanical Seal		Buna/Carbon	AC3046	AC3046
6-400-0	Mechanical Seal		EP/Carbon	AC0635	AC0635
6-400-0	Mechanical Seal		EP/Carbon	AC3049	AC3049
6-154-0	Spacer Sleeve		Steel	AC0573	AC0573
PACKING ONLY					
6-924-0	Packing (5 req.)		Non-Asbestos	AC0942	AC0942
6-152-0	Packing Base Ring		Steel	AC0592	AC0592
6-013-0	Seal Cage (Optional)		Teflon	AC0803	AC0803
OPTIONAL					
4-002-0	Impeller For Wear Ring		Bronze	AC1224	AC1225
4-002-0	Impeller For Wear Ring		Cast Iron	AC1250	AC1251
2-003-5	Wear Ring (Casing)		Cast Iron	AC0789	AC0789
2-003-6	Wear Ring (Stuff Box)		Cast Iron	AC0789	AC0789
2-003-5	Wear Ring (Casing)		Bronze	AC0769	AC0769
2-003-6	Wear Ring (Stuff Box)		Bronze	AC0769	AC0769
6-952-0	By-Pass Piping		Plastic/Bronze	AC0672	AC0672
6-952-0	By-Pass Piping		Plastic/Steel	AC0675	AC0675

Factory Recommended Spare Parts

* 8 required without lugs, 4 required with lugs

SERIES A-C 2000 PARTS LIST

FRAME PARTS Power Module No. 3

5-083-0	Frame	Cast Iron	AC0332
5-007-0	Shaft	1045 Steel	AC0730
5-007-0	Shaft	Stainless Steel	AC0731
5-026-0	Bearings (2 required)	Steel	P2002447
5-018-0	Bearing Cap (2 required)	Rubber	AC0701
5-086-0	Shaft Ret. Ring	Steel	AC0517
5-068-4	Ret. Ring (Outbound)	Steel	AC0513
5-068-3	Ret. Ring (Inbound)	Steel	AC0510
1-911-0	Coupling Key	Steel	AC0520
1-136-0	Shaft Seal	Rubber	AC0622
1-910-0	Pipe Plug	Steel	AC0532
FRAME FOOT ASSEMBLY CONSISTS OF THE FOLLOWING PARTS			
1-248-1	Foot	Steel	AC0930
1-248-1	Foot Bolt	Steel	S43640
1-248-1	Foot Washer	Steel	P16690
1-905-3	Grease Fitting (2 required)	Steel	P70614

FRAME PARTS Power Module No. 5

5-083-0	Frame	Cast Iron	AC0333
5-007-0	Shaft	1045 Steel	AC0732
5-007-0	Shaft	Stainless Steel	AC0733
5-026-0	Bearings (2 required)	Steel	P2002448
5-018-0	Bearing Cap (2 required)	Rubber	AC0700
5-086-0	Shaft Ret. Ring	Steel	AC0518
5-068-4	Ret. Ring (Outbound)	Steel	AC0514
5-068-3	Ret. Ring (Inbound)	Steel	AC0511
1-911-0	Coupling Key	Steel	AC0523
1-136-0	Shaft Seal	Rubber	AC0620
1-910-0	Pipe Plug	Steel	AC0532
FRAME FOOT ASSEMBLY CONSISTS OF THE FOLLOWING PARTS			
1-248-1	Foot	Steel	AC0930
1-248-1	Foot Bolt	Steel	S43640
1-248-1	Foot Washer	Steel	P16690
1-905-3	Grease Fitting (2 required)	Steel	P70614

FRAME PARTS Power Module No. 6

5-083-0	Frame	Cast Iron	AC0480
5-007-0	Shaft	1045 Steel	AC0734
5-007-0	Shaft	Stainless Steel	AC3054
5-026-0	Bearings (2 required)	Steel	P2002426
5-018-0	Bearing Cap (2 required)	Rubber	AC0702
5-086-0	Shaft Ret. Ring	Steel	AC0516
5-068-4	Ret. Ring (Outbound)	Steel	AC0515
5-068-3	Ret. Ring (Inbound)	Steel	AC0512
1-911-0	Coupling Key	Steel	AC0525
1-136-0	Shaft Seal	Rubber	AC0621
1-910-0	Pipe Plug	Steel	AC0532
FRAME FOOT ASSEMBLY CONSISTS OF THE FOLLOWING PARTS			
1-248-1	Foot	Steel	AC0930
1-248-1	Foot Bolt	Steel	S43640
1-248-1	Foot Washer	Steel	P16690
1-905-3	Grease Fitting (2 required)	Steel	P70614

Xylem |'zīləm|

- 1) The tissue in plants that brings water upward from the roots;
- 2) a leading global water technology company.

We're 12,500 people unified in a common purpose: creating innovative solutions to meet our world's water needs. Developing new technologies that will improve the way water is used, conserved, and re-used in the future is central to our work. We move, treat, analyze, and return water to the environment, and we help people use water efficiently, in their homes, buildings, factories and farms. In more than 150 countries, we have strong, long-standing relationships with customers who know us for our powerful combination of leading product brands and applications expertise, backed by a legacy of innovation.

For more information on how Xylem can help you, go to www.xyleminc.com



Xylem Inc.
2881 East Bayard Street Ext., Suite A
Seneca Falls, NY 13148
Phone: (800) 453-6777
Fax: (888) 322-5877
www.gouldswatertechnology.com